



# Bulldog Battery

**Bulldog Battery Corporation**

98 East Canal Street | Wabash, IN 46992

P: +1.800.443.3492 | F: +1.260.563.8245

E: [salesdept@bulldog-battery.com](mailto:salesdept@bulldog-battery.com)

[bulldog-battery.com](http://bulldog-battery.com)

**100% Employee Owned & Operated**



## BATTERY SELECTION GUIDE



**Unleash The Power**  
[bulldog-battery.com](http://bulldog-battery.com)



# ORDERING INFORMATION

Please follow the proper sequence when ordering your industrial battery.

- Number of Batteries Required
- Number of Cells per Battery
- Type of Plate in A.H. Positive
- Number of Plates per Cell
- With or Without Cover (Steel Tray)
- Dimensions of Battery Steel Tray (X, Y, Z)
- Terminal Position:
  - A. Dangling Lead @ A — B — C — D
  - B. Mounted Terminal @ E — F — G — H
- Length of Cable (This is measured from the edge of the steel tray to connector)
- Type of Connector

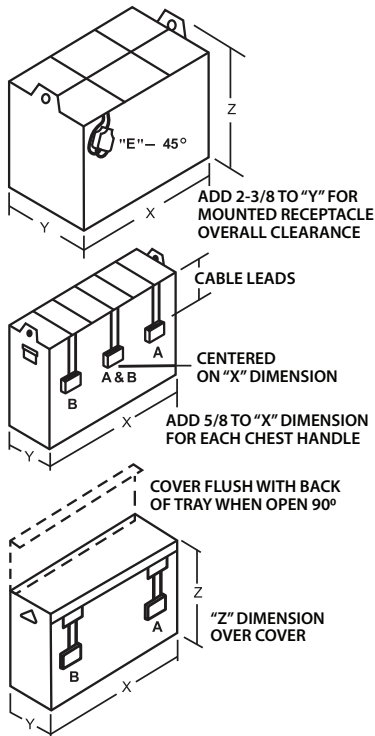
"Z" DIMENSIONS		
PLATE TYPE	STEEL TRAY HEIGHT	
	W/COVER	W/O COVER
45B	17.12	16.37
55B	19.25	18.50
65B	19.75	19.00
85B	23.25	22.62
100B	26.25	25.62
125B	31.00	30.37

**BATTERY TYPE  
NOMENCLATURE EXAMPLE**

(2) 18 - 85B - 21

No. Battery(s).... (2)  
No. of Cells..... (18)  
Plate Type..... (85B)  
Plates Per Cell... (21)

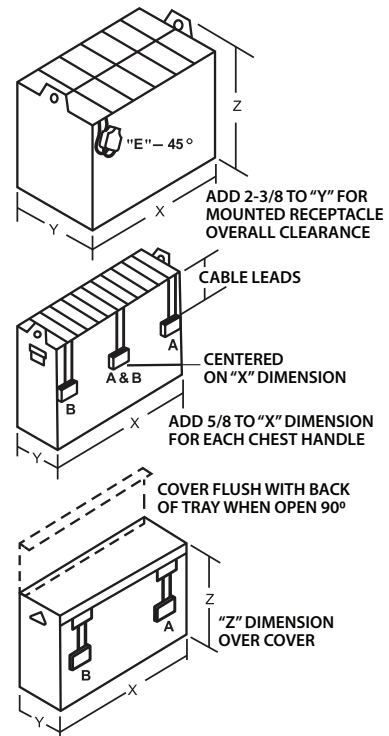
## HAND TYPES 6 CELLS



All ratings based on a fully charged specific gravity of 1.275 to 1.285 at 77° to 1.70 volts per cell.

Electrolyte weights approximately 10.70 pounds per gallon.

## HAND TYPES 12 CELLS



All ratings based on a fully charged specific gravity of 1.275 to 1.285 at 77° to 1.70 volts per cell.

Electrolyte weights approximately 10.70 pounds per gallon.

# DIMENSIONS - NARROW BATTERY

**PLATE TYPES: 45B, 55B, 65B, 85B, 100B, AND 125B**

PLATES PER CELL	6 CELL BATTERY 12 VOLT		9 CELL BATTERY 18 VOLT		12 CELL BATTERY 24 VOLT		15 CELL BATTERY 30 VOLT		16 CELL BATTERY 32 VOLT		18 CELL BATTERY 36 VOLT		24 CELL BATTERY 48 VOLT		INDIVIDUAL CELL SIZE
	X	Y	X	Y	X	Y	X	Y	X	Y	X	Y	X	Y	
5	12.31	6.56	24	7.50	24.50 18.87 31.25	6.50 8.56 7.50					36.62 19.25	6.50 12.62	37.93	8.62	6.19" W 2.00" L
7	16.81 12.68	6.50 8.56			25.37 33.62 20.00 17.37	8.56 6.50 11.31 12.75					25.75	13.12	37.75 31.75	11.38 14.31	6.19" W 2.75" L
9	21.87 21.87	6.62 7.75	19.06 32.12 29.12	10.93 6.75 7.62	25.37 21.62	10.81 12.69	31.87 19.12	11.25 18.25			37.87 21.62 32.38	10.93 19.00 12.75	37.87 31.69 35.75	14.56 18.06 16.44	6.19" W 3.50" L
11	26.13 26.13 18.88 13.19	6.50 7.75 8.81 12.69	19.12 29.87 39.37 26.37	13.31 9.00 7.75 11.00	26.13 31.94 38.00 25.62	12.69 10.75 8.93 13.18	31.81 22.12	13.25 19.12	25.62 23.37	17.50 19.68	26.13 37.87 30.50 25.62	19.06 13.25 17.12 21.87	31.75 37.93 26.50 39.12	21.87 17.50 25.31 13.62	6.19" W 4.25" L
13	30.62 30.62 15.50 19.19	6.50 7.75 12.75 10.31	19.00 30.37 25.44	15.44 10.43 11.62	30.62 35.62 19.25 25.62	12.81 11.62 20.43 15.43	25.87 31.62	19.12 15.50	25.75	20.62	37.87 30.75 32.25 25.75 35.62	15.56 19.12 20.86 25.31 17.81	30.75 38.00 43.50	25.50 20.56 20.56	6.19" W 5.00" L
15	35.25 35.25 17.75	6.62 7.75 12.81	30.00 30.00	12.62 13.12	35.13 38.13 25.62	12.94 11.94 17.75	32.12 29.62	17.75 19.25	25.75	23.56	32.00 38.25 35.25 29.50 31.50	23.56 17.87 19.19 25.56 23.56	38.25 32.00	23.56 29.31	6.25" W 5.75" L
17	20.13	12.81	32.00	13.62	38.13 26.62	13.44 19.19	31.87	19.94	26.87	25.50	38.25 33.25 32.00	19.94 25.56 26.56	38.25 40.00	26.75 26.00	6.25" W 6.50" L
19	22.37 38.12	12.87 7.62	32.12 36.12	15.25 13.25	38.12 29.62	14.94 19.19	37.12 32.12	19.37 22.25	29.62	25.44	38.25 35.18 31.87 37.00 44.37	22.19 25.62 28.37 25.75 19.50	38.25 45.00	29.75 26.00	6.25" W 7.25" L
21	24.62	12.81	33.12	15.12	32.62 38.12 25.75	19.19 16.43 24.43	32.12	24.50	32.87	25.50	38.25 49.50	24.50 19.50	38.25 49.50	32.75 26.00	6.25" W 8.00" L
23	26.87	12.94			35.62 38.13	19.19 17.94	32.12	26.75	36.00 36.00	25.62	38.25 42.75 33.50 54.00	26.75 26.00 32.25 19.25	38.25 54.00	35.75 26.00	6.25" W 8.75" L
25	29.13	12.94			38.75	19.31	32.25	29.12	39.00	25.62	38.25 45.75 58.50 35.75	29.12 26.00 19.50 32.25	38.75 58.50	38.25 26.00	6.25" W 9.50" L
27	31.61	13.00			38.25 31.62	21.06 25.50	32.25	31.75			38.25 48.25 42.12	31.37 26.00 32.25	41.75	38.25	6.25" W 10.25" L
29											38.25 51.75 45.38	33.62 26.00 32.25	44.75	38.25	6.25" W 11.00" L
31											38.25 48.50	36.00 32.25	44.50	42.25	6.25" W 11.75" L
33					38.68	25.75	38.50	32.25	51.50	26.00	38.25 51.50	38.12 32.25	44.62	44.50	6.25" W 12.50" L

**Other Battery Layouts Available Upon Request**

# 36 CELL BATTERIES - 72 VOLTS

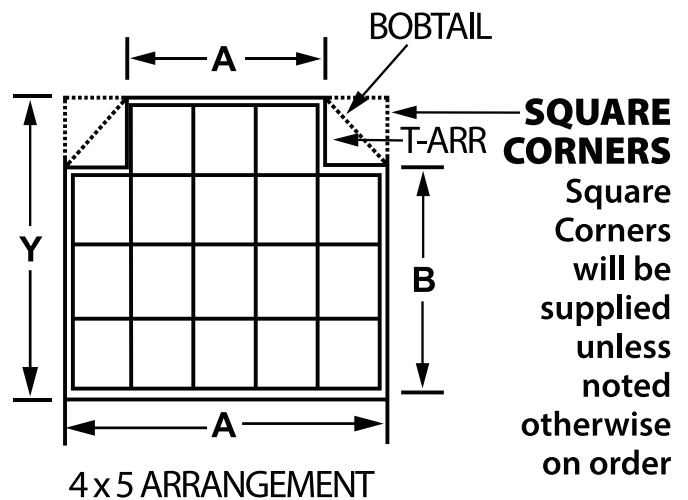
PLATE PER CELL	9	11	13	15	17	19	21	23	25									
NARROW DIMENSIONS	X 37.87 64.43	Y 21.75 13.06	X 37.87 77.87	Y 26.06 13.37	X 37.87	Y 30.75	X 38.12	Y 35.12	X 40.00	Y 38.50	X 44.25	Y 38.25	X 49.31	Y 38.50	X 53.81	Y 38.50	X 53.81	Y 38.50

## DIMENSIONS: BOBTAIL OR "T" ARRANGEMENT NARROW BATTERIES

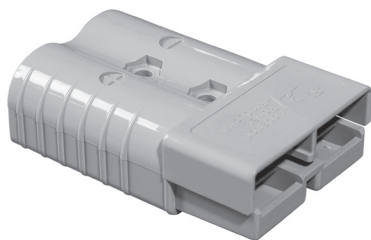
PLATE TYPE: 45B, 55B, 65B, 85B, 110B, and 125B

### 18 CELL - 36 VOLT

PLATE PER CELL	13	15	17	19	21	23
X	32.00	32.25	32.25	32.25	33.12	36.12
Y	21.00	24.12	27.25	30.00	32.25	32.25
A	19.37	19.62	19.62	19.62	19.62	19.62
B	15.87	18.25	20.50	22.50	26.00	26.00



## BATTERY AND CHARGING CONNECTORS



### SB 175 AMP / SB 350 AMP

6325 G1 Gray	6320 G2 Gray
6326 G1 Blue	6321 G2 Blue
6327 G1 Orange	6322 G2 Red
6328 G1 Yellow	6323 G2 Yellow
	6324 G2 Green



### PLUG 175 AMP

175 AMP  
YC 7204

# BULLDOG BATTERY SPECIFICATIONS

45B A.H./POS.		16.37" HIGH W/O COVER	
CELL TYPE	A.H. CAPACITY 6 HR RATE	KWH CAPACITY PER CELL 6 HR RATE	FIN. RATE AMPS
45B-9	180	.350	9
45B-11	225	.437	11
45B-13	270	.525	13
45B-15	315	.613	16
45B-17	360	.701	18
45B-19	405	.788	20
45B-21	450	.876	22
45B-23	495	.964	25
45B-25	540	1.052	27
45B-27	585	1.139	29
45B-29	630	1.227	31
45B-31	675	1.315	34
45B-33	720	1.403	36

55B A.H./POS.		18.50" HIGH W/O COVER	
CELL TYPE	A.H. CAPACITY 6 HR RATE	KWH CAPACITY PER CELL 6 HR RATE	FIN. RATE AMPS
55B-9	220	.428	11
55B-11	275	.533	14
55B-13	330	.640	16
55B-15	385	.748	19
55B-17	440	.855	22
55B-19	495	.961	25
55B-21	550	1.068	27
55B-23	605	1.175	30
55B-25	660	1.282	33
55B-27	715	1.389	36
55B-29	770	1.496	38
55B-31	825	1.603	41
55B-33	880	1.710	44

65B A.H./POS.		19.00" HIGH W/O COVER	
CELL TYPE	A.H. CAPACITY 6 HR RATE	KWH CAPACITY PER CELL 6 HR RATE	FIN. RATE AMPS
65B-7	195	.379	9
65B-9	260	.506	13
65B-11	325	.632	16
65B-13	390	.759	20
65B-15	455	.883	23
65B-17	520	1.009	26
65B-19	585	1.135	29
65B-21	650	1.261	33
65B-23	715	1.387	36
65B-27	845	1.639	42
65B-29	910	1.765	46
65B-31	975	1.892	49
65B-33	1075	2.018	52

85B A.H./POS.		22.62" HIGH W/O COVER	
CELL TYPE	A.H. CAPACITY 6 HR RATE	KWH CAPACITY PER CELL 6 HR RATE	FIN. RATE AMPS
85B-5	170	.330	8
85B-7	255	.496	12
85B-9	340	.661	17
85B-11	425	.827	22
85B-13	510	.992	25
85B-15	595	1.157	30
85B-17	6870	1.323	34
85B-19	765	1.488	38
85B-21	850	1.653	42
85B-23	935	1.819	45
85B-25	1020	1.984	50
85B-27	1105	2.315	55
85B-29	1190	2.315	58
85B-31	1275	2.480	63
85B-33	1360	2.645	68

100B A.H./POS.		25.62" HIGH W/O COVER	
CELL TYPE	A.H. CAPACITY 6 HR RATE	KWH CAPACITY PER CELL 6 HR RATE	FIN. RATE AMPS
100B-5	200	.388	10
100B-7	300	.582	15
100B-9	400	.776	20
100B-11	500	.970	25
100B-13	600	1.164	30
100B-15	700	1.356	35
100B-17	800	1.552	40
100B-19	900	1.746	45
100B-21	1000	1.940	50
100B-23	1100	2.134	55
100B-25	1200	2.328	60
100B-27	1300	2.522	65
100B-29	1400	2.716	70
100B-31	1500	2.910	75
100B-33	1600	3.104	80

125B A.H./POS.		30.37" HIGH W/O COVER	
CELL TYPE	A.H. CAPACITY 6 HR RATE	KWH CAPACITY PER CELL 6 HR RATE	FIN. RATE AMPS
125B-5	250	.480	15
125B-7	375	.720	18
125B-9	500	.961	25
125B-11	625	1.201	31
125B-13	750	1.441	37
125B-15	875	1.681	43
125B-17	1000	1.921	50
125B-19	1125	2.161	56
125B-21	1250	2.401	62
125B-23	1375	2.641	68
125B-25	1500	2.882	75

ALL OVERALL HEIGHTS SHOWN ARE 3/4" HIGHER WITH COVER.

All ratings based on a fully charged specific gravity of 1.280 to 1.290 at 70° to 1.70 volts per cell.

Electrolyte weighs approximately 10.70 pounds per gallon.

## TOBi BATTERY COMPANION Standard on EVERY Bulldog Battery

**Total Onboard Battery Information:**  
To view data, download mobile application on Google Play or Apple App Store. SCAN QR to get directions on how to connect to Bluetooth or go to [www.bulldog-battery.com/TOBi/](http://www.bulldog-battery.com/TOBi/)



### Bluetooth Compatible

iOS and Android Compatible



### Waterproof Design

Waterproof and Battery Acid Resistant



### Comprehensive Reports

TOBi Report Suite



### Versatile Compatibility

For Use on 12-80V Batteries



### Communicates Automatically

To the 305 Control

100% Employee Owned





# Bulldog Battery



## **Bulldog Battery Corporation**

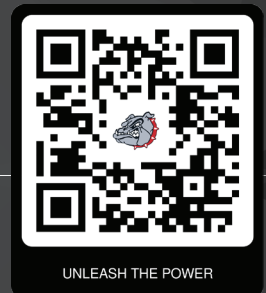
98 East Canal Street | Wabash, IN 46992

P: +1.800.443.3492 | F: +1.260.563.8245

E: [salesdept@bulldog-battery.com](mailto:salesdept@bulldog-battery.com)

[bulldog-battery.com](http://bulldog-battery.com)

**100% Employee Owned & Operated**



## **Unleash The Power**

[bulldog-battery.com](http://bulldog-battery.com)

BBID:BSG12302024